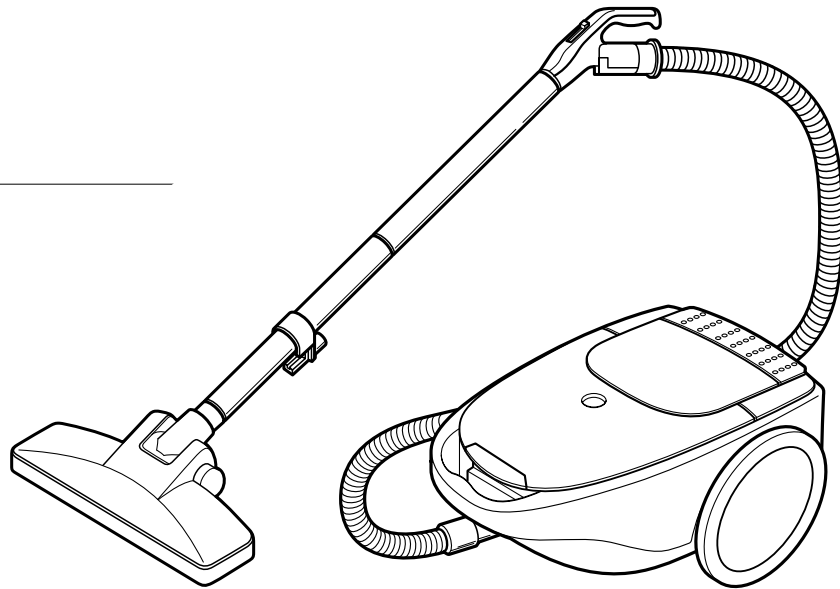




# VACUUM CLEANER

RC-705D

OWNER'S  
MANUAL



## READ AND KEEP THIS

- Thank you for purchasing this vacuum cleaner.
- For proper operation, please read this manual before using.

# DESCRIPTION AND USING

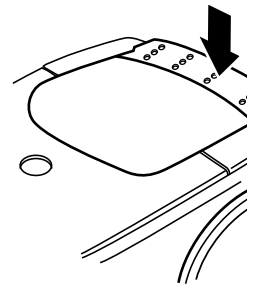
## DUST METER

How to check the DUST METER!

Operate the cleaner with MAX power keep the wide suction brush apart from the floor.

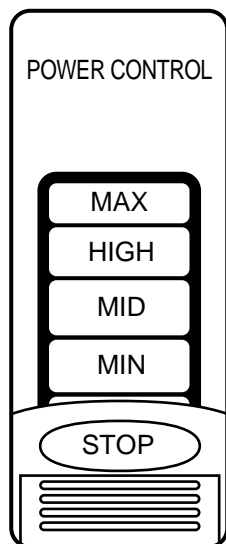
- If the red indicator of the DUST METER appears,
  - Empty the dust bag.
  - In case the hose is blocked with a large object, remove it.
- When cleaning with the crevice tool or the dusting brush, the red indicator may appear. In this case, continue cleaning.

## CORD REWIND BU

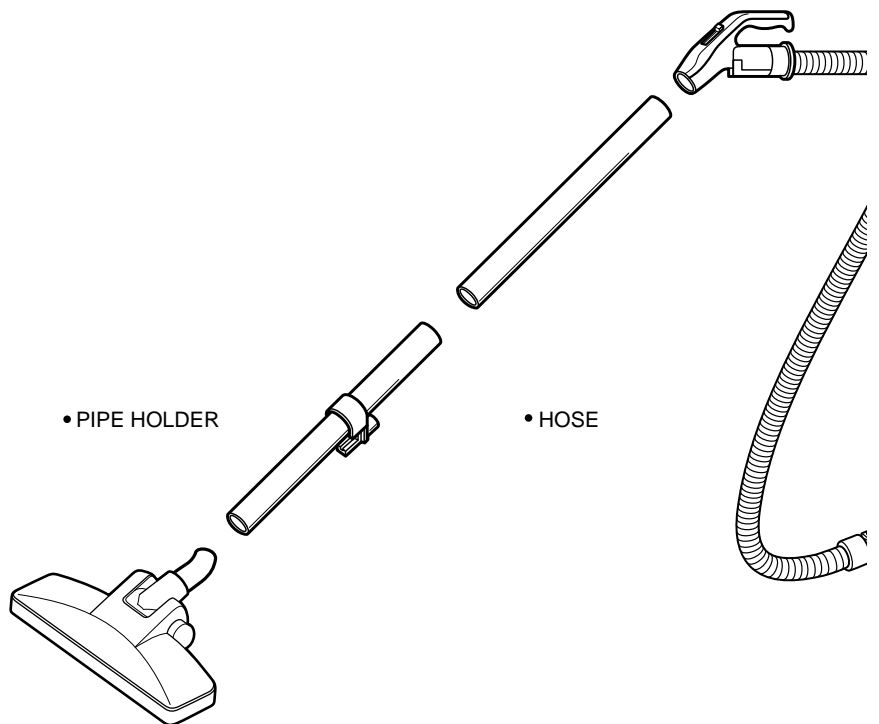


## HOSE HANDLE

POWER CONTROL



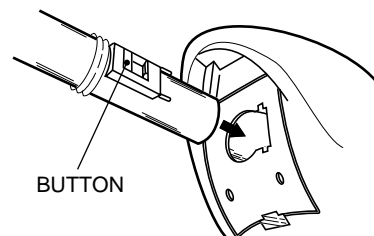
• PIPE HOLDER



• HOSE

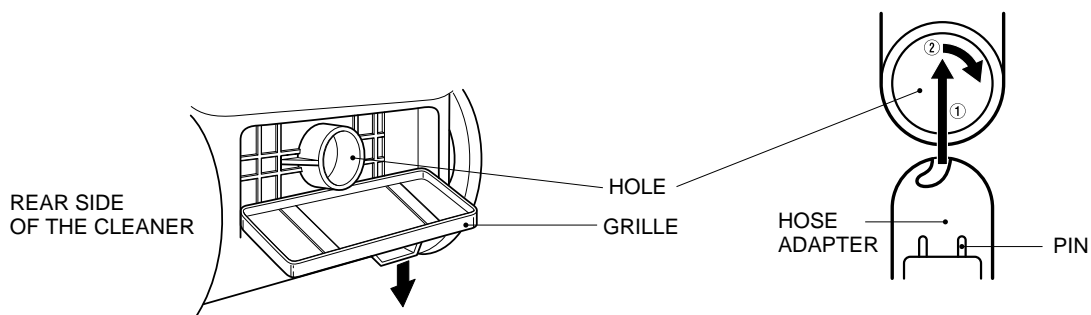
## HOSE ADAPTER

- When separating the hose from the body, pull the hose adapter while pressing the button.



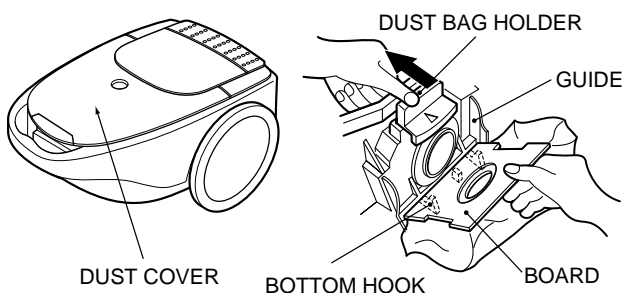
BUTTON

# BLOWER CLEANING



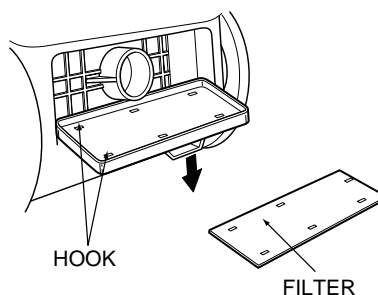
- Open the grille.
- Separate the hose adapter from the front side of the cleaner, then insert it into the hole and rotate it clockwise. (As inserting the hose adapter into the hole, the blower cleaning is started.)
- In order to get strong blowing, attach the crevice tool to hose handle.
- When separating the hose adapter from the hole, rotate it counterclockwise and pull it out.
- No danger in touching the pins under blower cleaning.
- When the dust bag is getting full with dust, the blowing is getting weak. In this case, operate with the dust cover open.

## EMPTYING THE DUST BAG



- Open the dust cover and push the dust bag holder in the direction of the arrow mark, and then take out the dust bag.
- When inserting the dust bag, place the board of the dust bag between the two guides and insert the lower part of it into the bottom hooks and fix the upper part of it with the dust bag holder.
- The dust cover can not be closed completely when the dust bag is set wrong.

## REPLACING THE FILTER

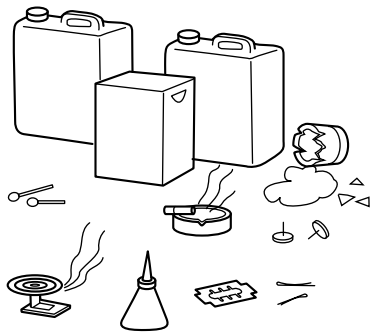


- Open the grille
- Take the filter and replace it.

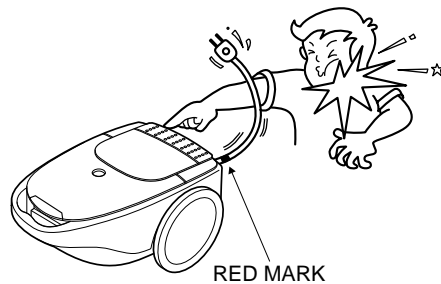
# PRECAUTIONS FOR SAFE USE

This vacuum cleaner should only be used for normal dry household dust and dirt. The manufacturer cannot be held responsible for any damage caused by use or operation of the cleaner contrary to these instructions. If the cleaner is wrongly operated for a purpose other than that for which it is intended, no liability can be accepted for any possible damage.

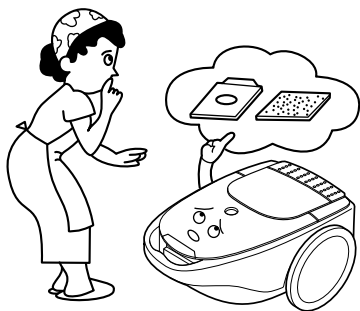
- Do not vacuum areas which contain moisture or water and inflammable matter, needles, pins, razor blades, matches, cigarette-ends, etc., since they may damage the cleaner or dust bag.



- When rewinding the power cord, hold the plug body before pressing the cord rewind button to prevent whipping.
- Do not pull the power cord out beyond the red mark.



- Make sure a dust bag and a motor protection filter are always inserted.



- Do not operate the cleaner if ;
  - the Power cord is damaged.
  - the hose shows visible signs of damage.It must be replaced by the manufacturer or its service agent or a similarly qualified person in order to avoid a hazard.

